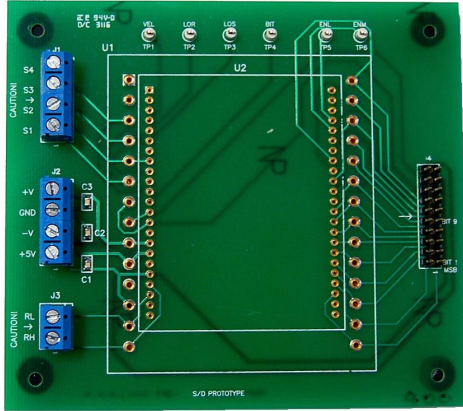
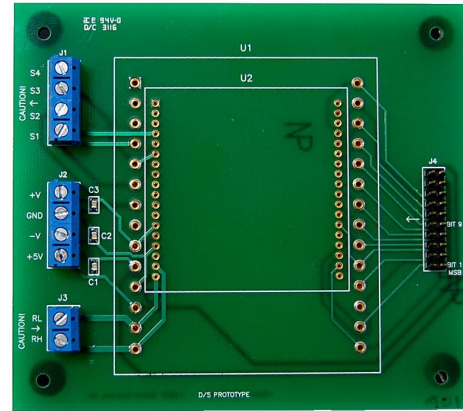


PROTO-1



PROTO-2



DESCRIPTION

The PROTO-1 (for S/D) and PROTO-2 (for D/S) boards allow the user to connect to and test our modules without soldering to the pins. The modules can easily be inserted and removed with no damage.

COMPATABILITY & ORDERING

CSI MODULE	PROTO PART #
168F1XX	PROTO-1-1 *
168F1XXA	PROTO-1-1 *
168F2XX	PROTO-1-1 *
168F3XX	PROTO-1-1 *
468H1XX	PROTO-1-2
192BXXX	PROTO-2-1
192EXXX	PROTO-2-1
192F50X	PROTO-2-1
292AXXX	PROTO-2-2
430A1XX	PROTO-1-2 **
468A1XX	PROTO-1-2
468H1XX	PROTO-1-2

NOTES:

* Not All Test Points are used with this module

** USE ENL for VEL Out and BIT 1 (J4-1) for DC Out

CONNECTOR PIN ASSIGNMENTS

PIN #	SIGNAL	DESCRIPTION
1	S1	Stator S1 Input/Output
2	S2	Stator S2 Input/Output
3	S3	Stator S3 Input/Output
4	S4	Stator S4 Input/Output (Resolver models only)

J1 CONNECTOR PIN ASSIGNMENT

PIN #	SIGNAL	DESCRIPTION
1	+5V	+5V Input
2	-V	-V Input
3	GND	Ground "Input"
4	+V	+V Input

J2 CONNECTOR PIN ASSIGNMENT

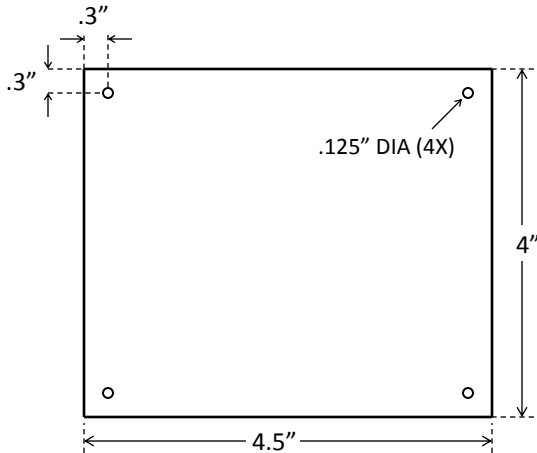
PIN #	SIGNAL	DESCRIPTION
1	RH	Reference High Input
2	RL	Reference Low Input

J3 CONNECTOR PIN ASSIGNMENT

PIN #	SIGNAL	DESCRIPTION
1	Bit 1 (MSB)	Bit 1 (MSB) of Digital Word
2	Bit 2	Bit 2 of Digital Word
3	Bit 3	Bit 3 of Digital Word
4	Bit 4	Bit 4 of Digital Word
5	Bit 5	Bit 5 of Digital Word
6	Bit 6	Bit 6 of Digital Word
7	Bit 7	Bit 7 of Digital Word
8	Bit 8	Bit 8 of Digital Word
9	Bit 9	Bit 9 of Digital Word
10	Bit 10	Bit 10 of Digital Word
11	Bit 11	Bit 11 of Digital Word (if needed)
12	Bit 12	Bit 12 of Digital Word (if needed)
13	Bit 13	Bit 13 of Digital Word (if needed)
14	Bit 14	Bit 14 of Digital Word (if needed)
15	Bit 15	Bit 15 of Digital Word (if needed)
16	Bit 16	Bit 16 of Digital Word (if needed)
17	CB	Converter Busy Signal from module
18	INH	Inhibit Signal to module
19	+5V	+5V (Same as +5V on J2)
20	GND	Ground (Same as GND on J2)

J4 CONNECTOR PIN ASSIGNMENT

MECHANICAL OUTLINE



ORDERING INFORMATION

PROTO - X - X

SOCKET SELECTION

- 1 - U1 (0.040 PINS) ONLY
- 2 - U2 (0.025 PINS) ONLY
- 3 - BOTH U1 & U2

TYPE

- 1 - S/D
- 2 - D/S

BASE PART NUMBER

WARRANTY

Warranted against defects in materials and workmanship for 1 year from date of shipment. Liability is expressly limited to servicing, adjusting, or replacing any CSI product returned to our factory with delivery charges prepaid. In no case shall our liability exceed the original purchase price.